

3.28 Model M-642

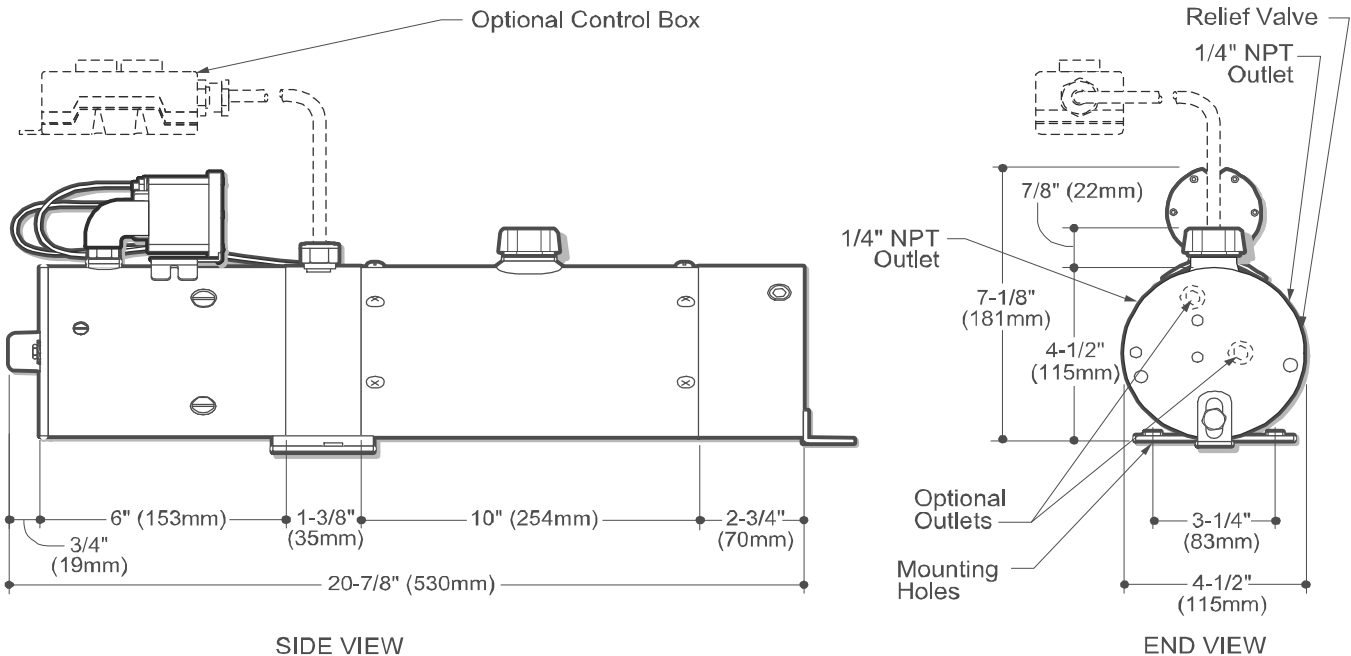
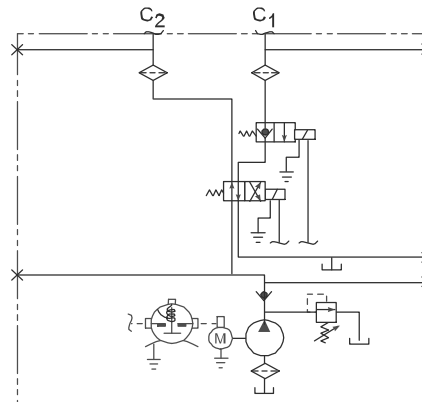
Description

- Pump / Motor / Reservoir / Valve
- Check Valve
- 4-Way/2-Position and 2-Way/2-Position N.C. Solenoid Cartridge Valves Located Inside Reservoir
- C1 Port Positively Checked
- C1 and C2 Ports are Filtered
- Externally Adjustable Relief Valve
- .250 Inch NPT Outlets
- Horizontal Mounting Standard

Popular Options

- Horizontal Mounting Standard
- Control Box and Cord
- Vertical Mounting / Motor Up

Schematic



How to Order Your M-642

Comprehensive information may be found on the page referenced below each selection category.

Shown as standard with:

Pump	Motor	Voltage	Reservoir (Length)	Motor Start Switch	Control Boxes	Mounting Bracket	Mounting Position	Accessories
	08111	12	06657	17757	07995		Horizontal	
Ref. Page	Ref. Page 52		Ref. Page 76-86	Ref. Page 89	Ref. Page 90	Ref. Page 91		Ref. Page 92