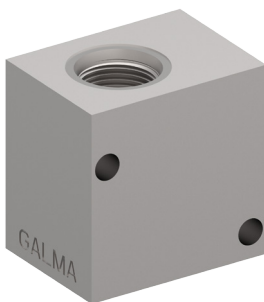


Valve accessory

Threaded port body

Type series: GALMA

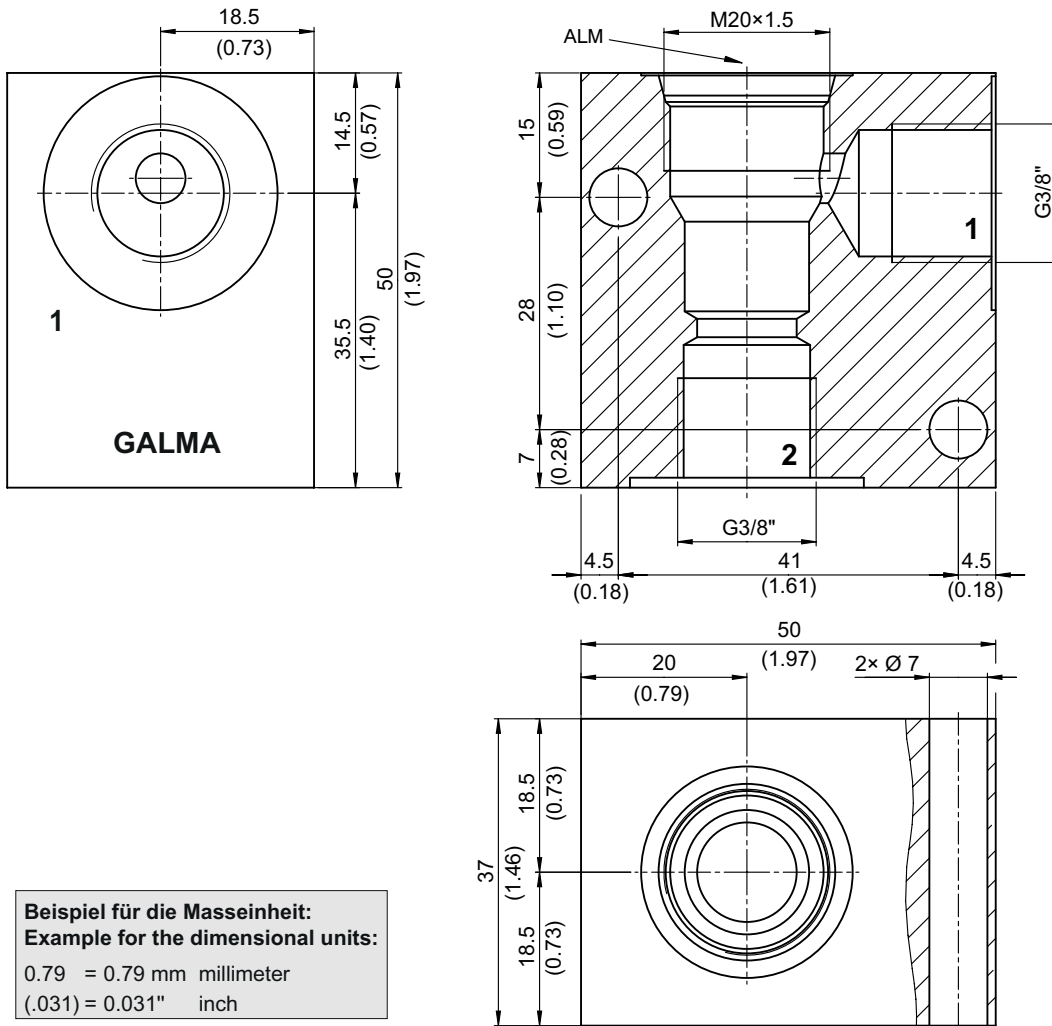


- For cavity ALM
- All external parts with zinc-nickel coating according to DIN EN ISO 19598
- Functionless threaded port body
- Port sizes of the main connections G 3/8"
- Optimized Δp values
- Suitable for piping assembly
- Can be fixed with 2x cap screws

Technical data

General Characteristics	Description, value, unit
Function group	Valve accessory
Function	Threaded port body
Maximum operating pressure	350 bar
Weight	0.6 kg
Cavity acc. factory standard	For cavity ALM
Surface protection	All external parts with zinc-nickel coating according to DIN EN ISO 19598

Dimensions and sectional view



Beispiel für die Masseinheit:
Example for the dimensional units:
 0.79 = 0.79 mm millimeter
 (.031) = 0.031" inch