

3.31 Model M-3528

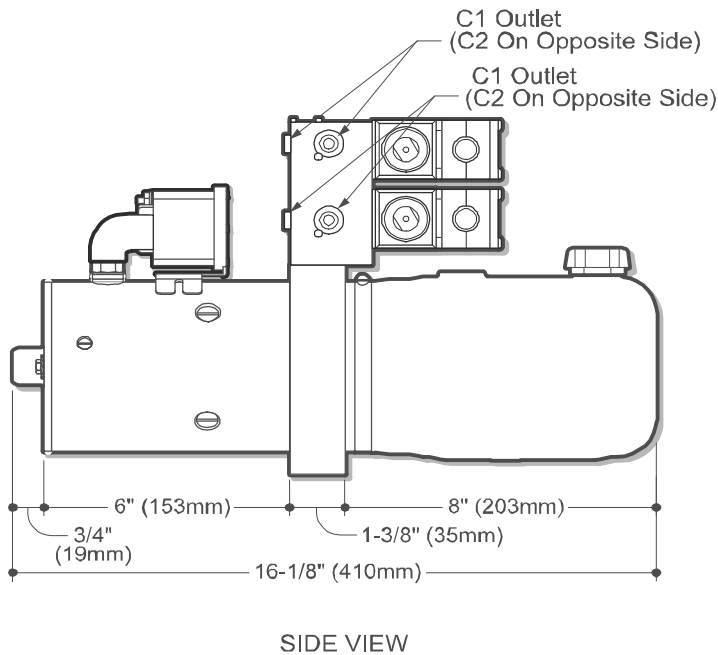
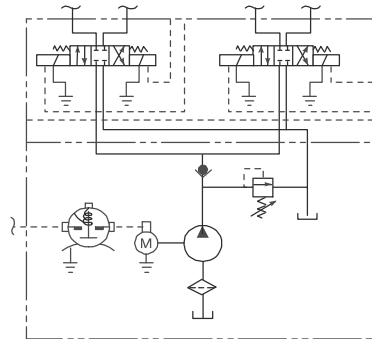
Description

- Pump / Motor / Reservoir / Valve
- Check Valve in "P" Port
- Externally Adjustable Relief Valve
- 2 x D03 Solenoid Valve
- #6 SAE Outlet
- Horizontal Mounting Standard

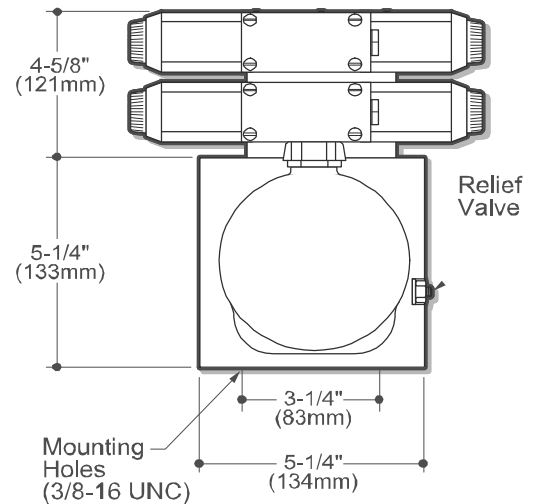
Popular Options

- Control Box and Cord
- Vertical Mounting / Motor Up
- Large Selection of D03/CETOP Valves and Accessories

Schematic



SIDE VIEW



END VIEW

NOTE:
An Adapter May Be Required With Certain Reservoirs - Consult Factory.

How to Order Your M-3528

Comprehensive information may be found on the page referenced below each selection category.

Shown as standard with:

Pump	Motor	Voltage	Reservoir (Length)	Motor Start Switch	Mounting Position	Accessories	Control Boxes
	08111	12	06102	17757	Horizontal		
Ref. Page	Ref. Page 52		Ref. Page 76-86	Ref. Page 89		Ref. Page 92	Ref. Page 90